



# Emergency exit device

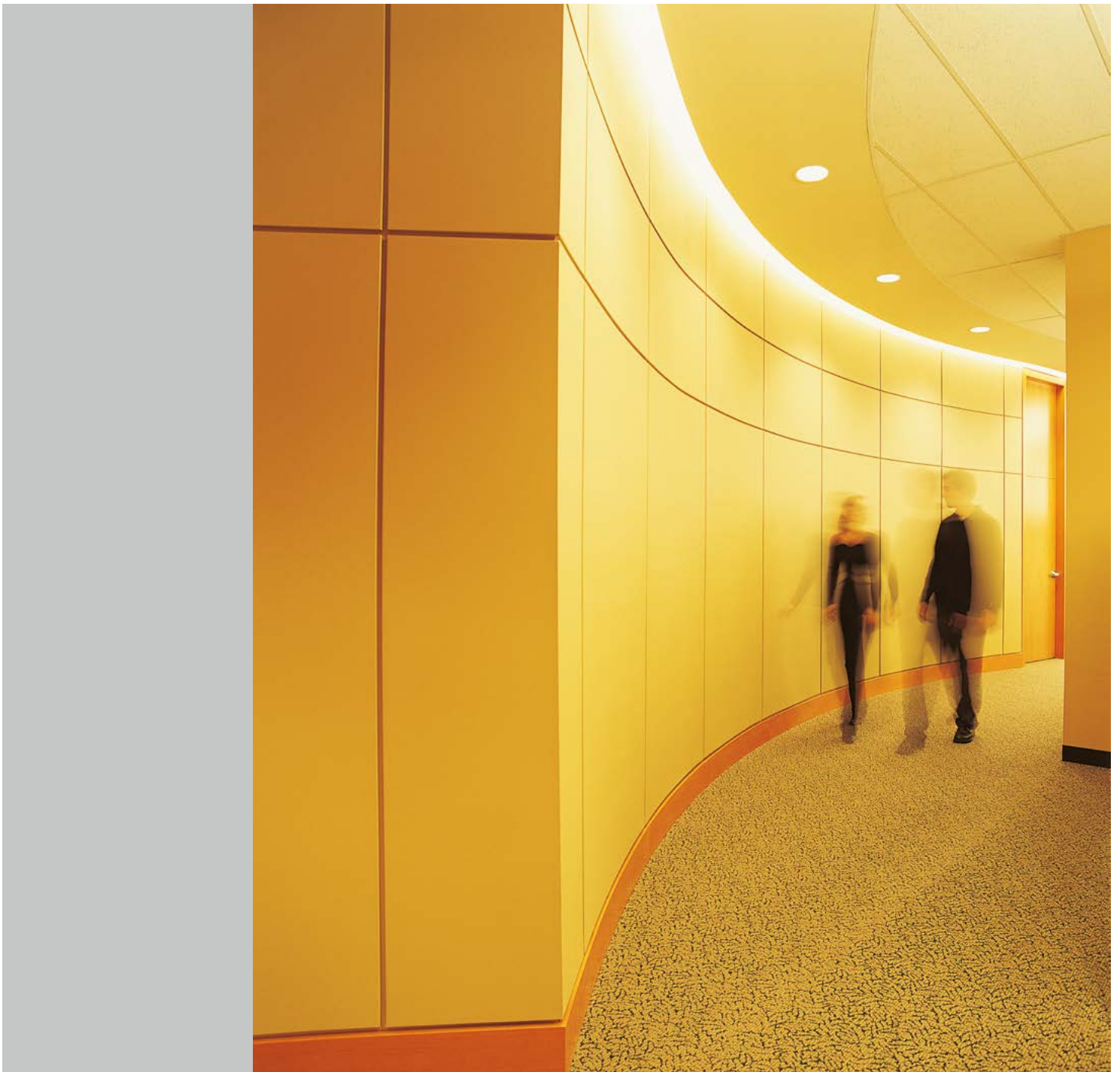




# EUROPAD 179

Rim emergency  
exit device  
reversible

Rim emergency exit device, for the second leaf of an Emergency Exit door (espagnolette bolt) or free exit function for doors other than Emergency Exits. Well-designed activating pad, easy to use in one single push movement.



## Applications

### Double leaf Emergency Exit Doors (standard and fire-rated second opening leaf fittings)

Doors with 2 separate leaves (other than Emergency Exits and fire-rated doors).

Single leaf doors (other than Emergency Exits and fire-rated doors).



## Technical data

### Europad 179 characteristics

- Espagnolette bolt with antipanic function.
- Non-handed case and activating pad.
- Easy and quick installation.
- Automatic re-latching when the door is closed.
- Reversible, easily identifiable push pad.
- Resistance to corrosion 96HBS, 240 HBS.
- Design matches the 89 Range.

#### Versions:

- Side latch rim lock (1 latch).
- Top and bottom rim lock (2 latches).
- Side, top and bottom rim lock (3 latches).

#### Finishes:

##### Standard finishes:

- Aluminium coloured case - activating pad satin black colour.
- Satin black coloured case - activating pad satin black colour.
- White coloured case - activating pad satin black colour.

##### Special finishes:

- RAL colours and other finishes, please enquire.

#### Standards and certification:

- In compliance with security regulations against fire in public places (art. C045).
- Mark CE EN179: 2008.
- Certification NF QE+C.
- Standard and fire-rated versions.



## Special features

- Designed for all types of public, particularly children, the elderly and the disabled.
- High resistance (cycles > 250 000).
- Resistance to corrosion - 240 hours in salt spray.
- Bilingual warning sticker (ISO green) on the push pad.



### Side latch rim lock (1 latch)

Rim emergency exit device (1 latch).

Doors other than Emergency Exits.

Single leaf doors (other than Emergency Exits and fire-rated doors).

Double leaf doors (with 2 separate leaves or rebated edge).

Characteristics:

- Reversible for right-handed or left-handed door.
- Cross follower for outside operation with outside trim EN 3000 Range.
- Fire-rated version: mechanism made all in steel.

Reference	Finishes
898901-04-1/2A	Silver - activating pad satin black colour
898901-05-1/2A	Black - activating pad black colour
898901-06-1/2A	White - activating pad black colour



### Top and bottom rim lock (2 latches)

Rim emergency exit device (2 top and bottom latches).

Double leaf Emergency Exit Doors (standard and fire-rated second opening leaf fittings).

Doors with 2 separate leaves (other than Emergency Exits and fire-rated doors).

Single leaf doors (other than Emergency Exits and fire-rated doors).

Replaces an espagnolette bolt.

Non-handed.

Fire-rated version: mechanism made all in steel.

Automatic re-latching of bolts when the door is closed.

Reference	Finishes
898902-01-0A	Silver - activating pad satin black colour
898902-02-0A	Black - activating pad black colour
898902-03-0A	White - activating pad black colour

# EUROPAD 179



## Side, top and bottom rim lock (3 latches)

Rim emergency exit device (Side, Top and bottom rim lock - 3 latches).

Doors other than Emergency Exits.

Single leaf doors (other than Emergency Exits and fire-rated doors).

Double leaf doors (with 2 separate leaves).

Characteristics:

- Reversible for right-handed or left-handed door.
- Cross follower for outside operation with outside trim EN 3000 Range.
- Standard version: mechanism made of steel and brass.
- Fire-rated version: mechanism made all in steel.

Reference	Finishes
898903-04-1/2A	Silver - activating pad satin black colour
898903-05-1/2A	Black - activating pad black colour
898903-06-1/2A	White - activating pad black colour

## Kit for glass door - PED top and bottom latches

Reference	Description
KG8902-01-0A	For PED with outside trim
KG8902-02-0A	For PED without outside trim
KG89AC-01-0A	For single leaf door
KG89AC-02-0A	For double leaf door

## Kit of screws for door thickness from 60 to 115 mm

Reference	Description
KE3000-01-0A	Special «cross» screw

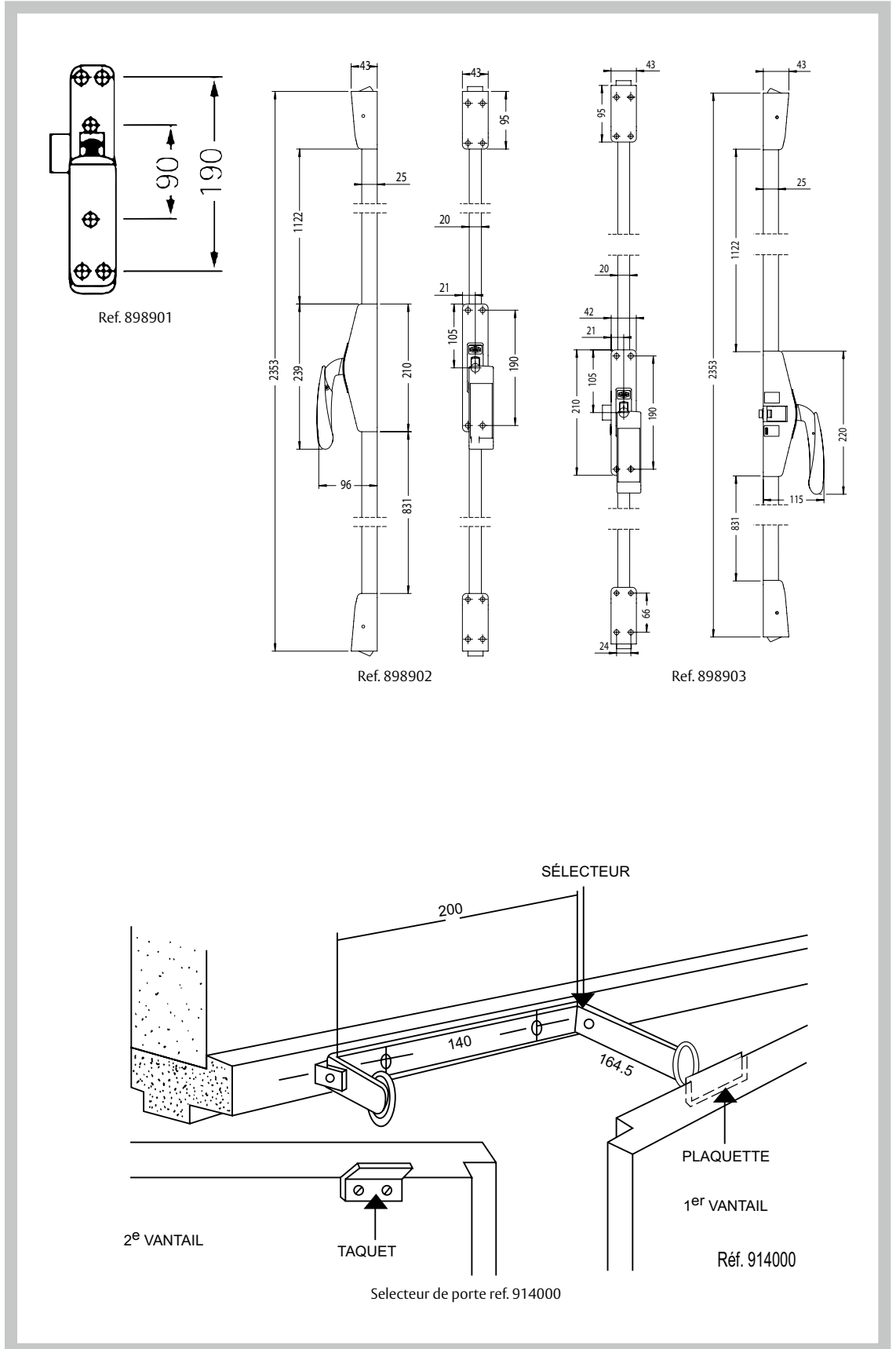
## Extension kit for very high door since 3200mm

Reference	Description
S91000-01-0A	Silver
S91000-02-0A	Black
S91000-04-0A	White

## Door co-ordinator

Reference	Description
914000-01-0B	Chrome-plated steel
914000-04-0B	Chrome-plated steel extended (140mm)
914000-05-0B	Stainless steel

Technical drawings



ASSA ABLOY is the global leader in door opening solutions, dedicated to satisfying end-user needs for security, safety and convenience

**ASSA ABLOY**

**ASSA ABLOY**

**Services administratifs**

Parc d'entreprises du Grand Troyes  
Quartier Europe Centrale  
10, avenue de l'Europe  
10 300 Sainte-Savine - France

[www.assaabloy.com](http://www.assaabloy.com)