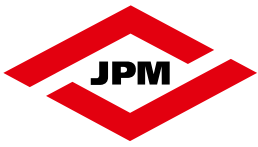




Door closer



CHOOSING THE RIGHT PRODUCT	104
CAM ACTION AND SLIDING ARM	106
RACK AND PIGNON AND SLIDING ARM	107
RACK AND PIGNON AND STANDARD ARM	108
MORTICE TYPE CAM ACTION AND SLIDING ARM	110



CHOOSING THE RIGHT PRODUCT

Door closers

Door closers are suitable for all kind of doors where there is a requirement for correct closing after use. For doors on escape ways or fire rated doors, door closers ensure that the closing is properly made. Single or double leave door application.



Applications

Building type applications

- Residential and commercial
- Public and private buildings

Doors

- Fire rated doors
- Emergency exit doors
- Doors on escape ways
- Heavy traffic doors
- Main entrance doors



Finishes

High density epoxy coating

Standard RAL finishes: Silver / White / Black

Metallic finishes

Covers and arms in Stainless steel (depending on models)

Accessories

Hold open function (non suitable for Fire rated doors):

- Hold open device for sliding arms
- Hold open arm for standard arm door closers

Mounting plates for arms and bodies

		FP 5550	FP 5400	FP 5300 Sliding Arm	FP 5200 Sliding Arm	FP 5050	FP 5350	FP 5300 Standard arm	FP 5200 Standard arm	FP 5100	FP 5000	FP 8400 Mortice type	FP 8000 Mortice type
TYPE OR ARMS													
Sliding Arm		•	•	•	•	•						•	•
Standard arm							•	•	•	•	•		
TECHNOLOGY													
Cam action		•	•									•	
Rack and Pignon				•	•	•	•	•	•	•	•		•
STRENGTH OF DOOR CLOSER													
	FORCE EN												
Door of 750 mm and 20 kg max	1	•	•	•						•		•	
Door of 850 mm and 40 kg max	2	•	•	•	•			•		•	•	•	
Door of 950 mm and 60 kg max	3	•	•	•	•	•		•	•	•	•	•	•
Door of 1100 mm and 80 kg max	4	•	•	•				•	•	•	•	•	
Door of 1250 mm and 100 kg max	5	•					•	•	•				
Door of 1400 mm and 120 kg max	6	•					•	•	•				
Door of 1600 mm and 160 kg max	7						•						
Fixed force						•							•
Adjustable force by positioning of body and arms											•		
Adjustable force by screw		•	•	•	•		•	•	•	•		•	
ADJUSTMENTS													
Closing speed adjustment		•	•	•	•	•	•	•	•	•	•	•	•
Latching speed adjustment		•	•	•	•	•	•	•	•	•	•	•	•
Back check		•	•	•	•	•	•	•	•	•		mechanical	
Delayed action				•	•			•	•				
STANDARDS AND COMPLIANCE													
CE EN1154		•	•	•	•	•	•	•	•	•	•	•	•
Fire rating		•	•	•	•	•	•	•	•	•	•	•	•
Accessibility for handicaped people		•	•	•	•	•		•	•	•	•	•	•
FINISHES													
Silver - White - Black		•	•	•	•	•	•	•	•	•	•		
Stainless steel		•	•	•	•		•	•	•	•			



DOOR CLOSER

Cam action and sliding arm



FP 5500

CE certified 2 hours fire rating adjustable force EN 1 to 6.
For doors from 20 kg / 750 mm to 120 kg / 1 400 mm

Reference	Description
FP5500	Force 1 to 6 - Backcheck
ARG193	Sliding Arm
AM1520	Mechanical hold open device
LO1530	Opening restrictor
PL1060	Fixing plate for DC body
PL1070	Angle fixing plate for DC body
PL1150	Fixing plate for sliding arm
PL1040	Angle fixing plate for sliding arm



FP 5400

CE certified 2 hours fire rating adjustable force EN 1 to 4.
For doors from 20 kg / 750 mm to 80 kg / 1 100 mm

Reference	Description
FP5400	Force 1 to 4 - Backcheck
ARG193	Sliding Arm
AM1520	Mechanical hold open device
LO1530	Opening restrictor
PL1300	Fixing plate for DC body
PL1130	Angle fixing plate for DC body
PL1150	Fixing plate for sliding arm
PL1040	Angle fixing plate for sliding arm

DOOR CLOSER

Rack and pignon and sliding arm



FP 5300

CE certified 4 hours fire rating. Delayed action FP 5300-4

Sliding Arm: - Adjustable force EN 1 to 4

- For doors from 20 kg / 750 mm to 80 kg / 1 100 mm

Reference	Description
FP5300	Force 1 to 4 - Backcheck
FP5300	Force 1 to 4 - Backcheck and delayed action
ARG193	Sliding Arm
AM1520	Mechanical hold open device
LO1530	Opening restrictor
PL1060	Fixing plate for DC body
PL1070	Angle fixing plate for DC body
PL1150	Fixing plate for sliding arm
PL1040	Angle fixing plate for sliding arm



FP 5200

CE certified 2 hours fire rating. Delayed action FP 5200-4

Sliding Arm: - Adjustable force EN 2 to 3

- For doors from 40 kg / 850 mm to 60 kg / 950 mm

Reference	Description
FP5200	Force 2 to 3 - Backcheck
FP5200	Force 2 to 3 - Backcheck and delayed action
ARG193	Sliding Arm
AM1520	Mechanical hold open device
LO1530	Opening restrictor
PL1300	Fixing plate for DC body
PL1130	Angle fixing plate for DC body
PL1150	Fixing plate for sliding arm
PL1040	Angle fixing plate for sliding arm



FP 5050

CE certified 4 hours fire rating.

Fixed force EN 3. For doors of 60 kg / 950 mm.

Reference	Description
FP5050	Force 3 - Backcheck
AM2000	Mechanical hold open device
PL7102	Fixing plate for DC body



DOOR CLOSER

Rack and pinion and standard arm



FP 5350

CE certified 4 hours fire rating. Adjustable force EN 5 to 7.
For doors from 100 kg / 1 250 mm to 160 kg / 1 600 mm.

Reference	Description
FP5350	Force 5 to 7 - Backcheck
ARS197	Standard arm
PL1060	Fixing plate for DC body
PL1070	Angle fixing plate for DC body
PL1080	Parallel fixing arm for standard arm



FP 5300

CE certified 4 hours fire rating. Delayed action FP 5300-4
Standard arm : - Adjustable force EN 2 to 6
- For doors from 40 kg / 850 mm to 120 kg / 1400 mm
- Hold open arm ARA191 (non authorized for fire rating doors)

Reference	Description
FP5300	Force 2 to 6 - Backcheck
FP5300	Force 2 to 6 - Backcheck and delayed action
ARS190	Standard arm
ARA191	Hold open arm
PL1060	Fixing plate for DC body
PL1070	Angle fixing plate for DC body
PL1080	Parallel fixing arm for standard arm



FP 5200

CE certified 2 hours fire rating. Delayed action FP 5200-4
Standard arm : - Adjustable force EN 3 to 6
- For doors from 60 kg / 950 mm to 120 kg / 1 400 mm

Reference	Description
FP5200	Force 3 to 6 - Backcheck
FP5200	Force 3 to 6 - Backcheck and delayed action
ARS190	Standard arm
ARS191	Hold open arm
PL1300	Fixing plate for DC body
PL1130	Angle fixing plate for DC body
PL1780	Parallel fixing arm for standard arm

DOOR CLOSER

Rack and pinion and standard arm



FP 5100

CE certified 2 hours fire rating.

Standard arm : - Adjustable force EN 1 to 4

- For doors from 20 kg / 750 mm to 80 kg / 1100 mm

Reference	Description
FP5100	Force 1 to 4 - Backcheck
ARS190	Standard arm
ARS191	Hold open arm
PL1300	Fixing plate for DC body
PL1130	Angle fixing plate for DC body
PL1780	Parallel fixing arm for standard arm



FP 5000

CE certified 4 hours fire rating.

Adjustable force EN 2-3-4 by positionning of body and arm.

For doors from 40 kg / 850 mm to 80 kg / 1 100 mm.

Reference	Description
FP5000	Force 2, 3, 4
PL7102	Fixing plate for DC body
PL1780	Parallel fixing arm for standard arm



Door coordinator

Finishes	Reference
Silver	914000-01-0B



DOOR CLOSER

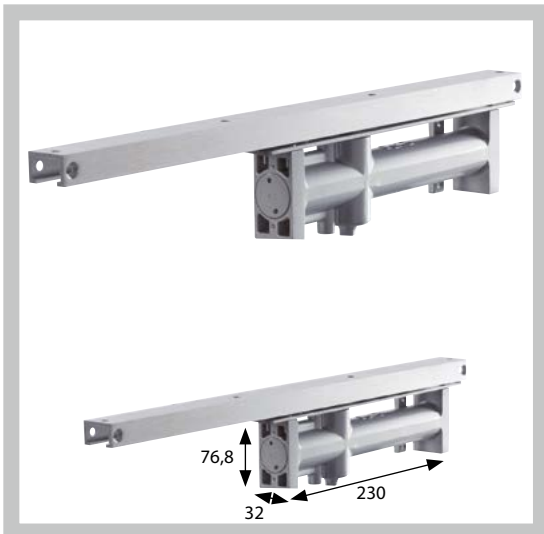
Mortice type cam action and sliding arm



FP 8400

CE certified 2 hours fire rating. Adjustable force EN 1 to 4.
For doors from 20 kg / 750 mm to 80 kg / 1 100 mm.
Width 32 mm. Maximum opening angle 120°.

Reference	Description
FP8400	Force 1 à 4
ARG893	Sliding Arm - width 31 mm
ARG892	Sliding Arm - width 20 mm
AM1520	Mechanical hold open device
LO1530	Backcheck



FP 8000

CE certified 2 hours fire rating.
Fixed force EN 3. For doors of 60 kg / 950 mm.
Width 32 mm. Maximum opening angle 180°.

Reference	Description
FP8000	Force 3
AM2000	Mechanical hold open device

ASSA ABLOY is the global leader in door opening solutions, dedicated to satisfying end-user needs for security, safety and convenience

ASSA ABLOY

ASSA ABLOY

Services administratifs

Parc d'entreprises du Grand Troyes
Quartier Europe Centrale
10, avenue de l'Europe
10 300 Sainte-Savine - France

www.assaabloy.com